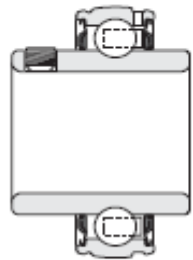
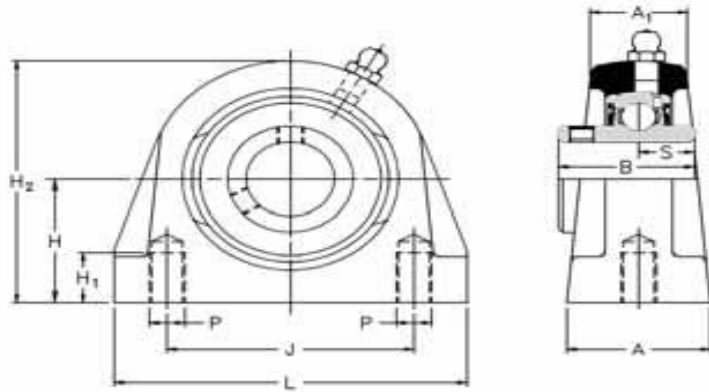
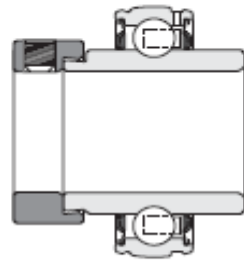


Cast Iron Pillow Blocks - Short Base



1000G

Standard



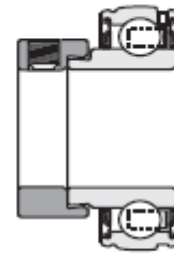
1000DECG

DEC Type



1200G

A Type



1200ECG

EC Type

See [Housed Bearing Insert](#) pages for dimensional detail

Cast Iron Pillow Block Units -Short Base



Shaft Diameter (mm)		RHP designation	Variations			Basic Insert	Casting group	Dimensions(mm)										
Metric Range	Imperial Range		A	EC	DEC			Overall Length	Centre Height	Thread Height	Overall Height	Base Width	Top Width	Inner Race Width	Inner Race Centre	Centre	Thread Size	
								L	H	H1	H2	A	A1	B	S	G	SNP	CNP
	19.05	SNP3/4	•	•	•	1020	2	65.00	33.30	13.50	65.80	32.00	22.50	31.00	12.73	50.8	M8x1.25	3/8-16UNC
20		SNP20	•	•	•	1020	2	65.00	33.30	13.50	65.80	32.00	22.50	31.00	12.73	50.8	M8x1.25	3/8-16UNC
	22.225	SNP7/8		•	•	1025	3	70.00	36.50	13.50	71.50	36.00	25.00	34.10	14.33	50.8	M10x1.50	3/8-16UNC
	23.812	SNP15/16		•	•	1025	3	70.00	36.50	13.50	71.50	36.00	25.00	34.10	14.33	50.8	M10x1.50	3/8-16UNC
25		SNP25	•	•	•	1025	3	70.00	36.50	13.50	71.50	36.00	25.00	34.10	14.33	50.8	M10x1.50	3/8-16UNC
	25.4	SNP1	•	•	•	1025	3	70.00	36.50	13.50	71.50	36.00	25.00	34.10	14.33	50.8	M10x1.50	3/8-16UNC
	28.575	SNP1-1/8		•	•	1030	4	96.00	42.90	16.50	83.90	40.00	26.50	38.10	15.93	76.2	M10x1.50	7/16-14UNC
30		SNP30	•	•	•	1030	4	96.00	42.90	16.50	83.90	40.00	26.50	38.10	15.93	76.2	M10x1.50	7/16-14UNC
	30.16	SNP1-3/16		•	•	1030	4	96.00	42.90	16.50	83.90	40.00	26.50	38.10	15.93	76.2	M10x1.50	7/16-14UNC
	31.75	SNP1-1/4R	•	•	•	1030	4	96.00	42.90	16.50	83.90	40.00	26.50	38.10	15.93	76.2	M10x1.50	7/16-14UNC
	31.75	SNP1-1/4	•	•	•	1035	5	110.00	47.60	19.50	95.60	45.00	30.00	42.90	17.53	82.6	M10x1.50	1/2-13UNC
	34.925	SNP1-3/8		•	•	1035	5	110.00	47.60	19.50	95.60	45.00	30.00	42.90	17.53	82.6	M10x1.50	1/2-13UNC
35		SNP35	•	•	•	1035	5	110.00	47.60	19.50	95.60	45.00	30.00	42.90	17.53	82.6	M10x1.50	1/2-13UNC
	36.512	SNP1-7/16		•	•	1035	5	110.00	47.60	19.50	95.60	45.00	30.00	42.90	17.53	82.6	M10x1.50	1/2-13UNC
	38.1	SNP1-1/2	•	•	•	1040	6	118.00	49.20	19.50	101.70	47.00	32.00	49.20	19.03	88.9	M12x1.75	1/2-13UNC
40		SNP40	•	•	•	1040	6	118.00	49.20	19.50	101.70	47.00	32.00	49.20	19.03	88.9	M12x1.75	1/2-13UNC
	41.275	SNP1-5/8		•	•	1045	7	127.00	54.00	19.50	110.00	48.00	33.00	49.20	19.04	95.3	M12x1.75	1/2-13UNC
	42.862	SNP1-11/16		•	•	1045	7	127.00	54.00	19.50	110.00	48.00	33.00	49.20	19.04	95.3	M12x1.75	1/2-13UNC
	44.45	SNP1-3/4	•	•	•	1045	7	127.00	54.00	19.50	110.00	48.00	33.00	49.20	19.04	95.3	M12x1.75	1/2-13UNC
45		SNP45	•	•	•	1045	7	127.00	54.00	19.50	110.00	48.00	33.00	49.20	19.04	95.3	M12x1.75	1/2-13UNC
	47.625	SNP1-7/8		•	•	1050	8	135.00	57.20	23.50	115.00	54.00	34.00	51.60	19.04	101.6	M16x2.00	5/8-11UNC
	49.212	SNP1-15/16		•	•	1050	8	135.00	57.20	23.50	115.00	54.00	34.00	51.60	19.04	101.6	M16x2.00	5/8-11UNC
50		SNP50	•	•	•	1050	8	135.00	57.20	23.50	115.00	54.00	34.00	51.60	19.04	101.6	M16x2.00	5/8-11UNC
	50.8	SNP2R				1050	8	135.00	57.20	23.50	115.00	54.00	34.00	51.60	19.04	101.6	M16x2.00	5/8-11UNC
	50.8	SNP2			•	1055	9	154.00	63.50	26.50	130.00	60.00	41.50	55.60	22.24	118	M16x2.00	5/8-11UNC
	53.975	SNP2-1/8		•	•	1055	9	154.00	63.50	26.50	130.00	60.00	41.50	55.60	22.24	118	M16x2.00	5/8-11UNC
55		SNP55		•	•	1055	9	154.00	63.50	26.50	130.00	60.00	41.50	55.60	22.24	118	M16x2.00	5/8-11UNC
	55.562	SNP2-3/16			•	1055	9	154.00	63.50	26.50	130.00	60.00	41.50	55.60	22.24	118	M16x2.00	5/8-11UNC
	57.15	SNP2-1/4			•	1060	10	154.00	69.90	26.50	141.50	60.00	41.50	65.10	25.44	118	M16x2.00	5/8-11UNC
60		SNP60			•	1060	10	154.00	69.90	26.50	141.50	60.00	41.50	65.10	25.44	118	M16x2.00	5/8-11UNC
	60.325	SNP2-3/8			•	1060	10	154.00	69.90	26.50	141.50	60.00	41.50	65.10	25.44	118	M16x2.00	5/8-11UNC
	61.912	SNP2-7/16			•	1060	10	154.00	69.90	26.50	141.50	60.00	41.50	65.10	25.44	118	M16x2.00	5/8-11UNC