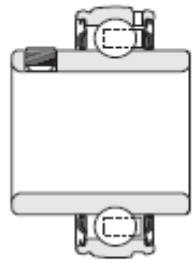
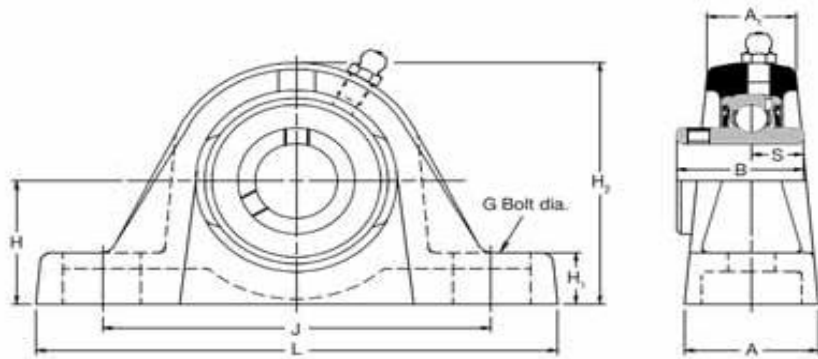
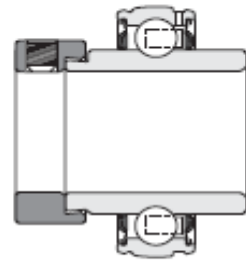


Cast Iron Pillow Blocks



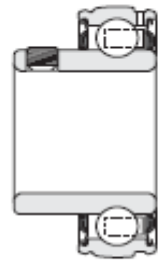
1000G

Standard



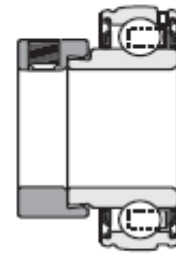
1000DECG

DEC Type



1200G

A Type



1200ECG

EC Type

See [Housed Bearing Insert](#) pages for dimensional detail

Cast Iron Pillow Block Units



Shaft Diameter (mm)		RHP designation	Variations			Basic Insert	Casting group	Dimensions(mm)										
Metric Range	Imperial Range		A	EC	DEC			Overall Length	Centre Height	Base Height	Overall Height	Base Width	Top Width	Inner Race Width	Inner Race Centre	Bolt Hole	Bolt Centres	
								L	H	H1	H2	A	A1	B	s	G	Jmax	Jmin
12		SL12	•			1017	1	119.00	26.97	11.00	54.00	30.50	20.50	27.38	11.58	10	91.5	85.5
12		NP12	•			1017	1	126.50	30.20	14.20	57.20	30.50	20.50	27.38	11.58	10	100.5	85.5
	12.7	SL1/2	•			1017	1	119.00	26.97	11.00	54.00	30.50	20.50	27.38	11.58	10	91.5	85.5
	12.7	NP1/2	•			1017	1	126.50	30.20	14.20	57.20	30.50	20.50	27.38	11.58	10	100.5	85.5
15		SL15	•			1017	1	119.00	26.97	11.00	54.00	30.50	20.50	27.38	11.58	10	91.5	85.5
15		NP15	•			1017	1	126.50	30.20	14.20	57.20	30.50	20.50	27.38	11.58	10	100.5	85.5
	15.875	SL5/8	•			1017	1	119.00	26.97	11.00	54.00	30.50	20.50	27.38	11.58	10	91.5	85.5
	15.875	NP5/8	•			1017	1	126.50	30.20	14.20	57.20	30.50	20.50	27.38	11.58	10	100.5	85.5
16		SL16	•			1017	1	119.00	26.97	11.00	54.00	30.50	20.50	27.38	11.58	10	91.5	85.5
16		NP16	•			1017	1	126.50	30.20	14.20	57.20	30.50	20.50	27.38	11.58	10	100.5	85.5
17		SL17	•			1017	1	119.00	26.97	11.00	54.00	30.50	20.50	27.38	11.58	10	91.5	85.5
17		NP17	•			1017	1	126.50	30.20	14.20	57.20	30.50	20.50	27.38	11.58	10	100.5	85.5
	19.05	SL3/4	•	•	•	1020	2	126.50	31.75	12.50	63.70	32.00	22.50	31.00	12.73	10	100.5	88.5
	19.05	NP3/4	•	•	•	1020	2	127.00	33.30	14.00	65.20	32.50	22.50	31.00	12.73	10	100.5	88.5
20		SL20	•	•	•	1020	2	126.50	31.75	12.50	63.70	32.00	22.50	31.00	12.73	10	100.5	88.5
20		NP20	•	•	•	1020	2	127.00	33.30	14.00	65.20	32.50	22.50	31.00	12.73	10	100.5	88.5
	22.225	SL7/8	•	•	•	1025	3	139.00	33.32	12.80	67.80	36.00	24.50	34.10	14.33	10	110.2	98.2
	22.225	NP7/8	•	•	•	1025	3	139.00	36.50	16.00	71.00	36.50	24.50	34.10	14.33	10	112.7	96.8
	23.812	SL15/16	•	•	•	1025	3	139.00	33.32	12.80	67.80	36.00	24.50	34.10	14.33	10	110.2	98.2
	23.812	NP15/16	•	•	•	1025	3	139.00	36.50	16.00	71.00	36.50	24.50	34.10	14.33	10	112.7	96.8
25		SL25	•	•	•	1025	3	139.00	33.32	12.80	67.80	36.00	24.50	34.10	14.33	10	110.2	98.2
25		NP25	•	•	•	1025	3	139.00	36.50	16.00	71.00	36.50	24.50	34.10	14.33	10	112.7	96.8
25		MP25				1030	1	160.50	44.45	19.30	84.30	41.50	27.50	38.10	15.93	12	127.5	108.5
	25.4	SL1	•	•	•	1025	3	139.00	33.32	12.80	67.80	36.00	24.50	34.10	14.33	10	110.2	98.2
	25.4	NP1	•	•	•	1025	3	139.00	36.50	16.00	71.00	36.50	24.50	34.10	14.33	10	112.7	96.8
	25.4	MP1				1030	1	160.50	44.45	19.30	84.30	41.50	27.50	38.10	15.93	12	127.5	108.5
	28.575	SL1-1/8	•	•	•	1030	4	161.50	39.67	14.50	79.50	41.00	27.50	38.10	15.93	12	130.0	109.0
	28.575	NP1-1/8	•	•	•	1030	4	160.50	42.90	17.70	82.70	41.50	27.50	38.10	15.93	12	129.5	108.5
30		SL30	•	•	•	1030	4	161.50	39.67	14.50	79.50	41.00	27.50	38.10	15.93	12	130.0	109.0
30		NP30	•	•	•	1030	4	160.50	42.90	17.70	82.70	41.50	27.50	38.10	15.93	12	129.5	108.5
30		MP30				1035	2	166.00	47.60	17.50	93.00	44.50	30.50	42.90	17.53	12	136.5	121.5
	30.16	SL1-3/16	•	•	•	1030	4	161.50	39.67	14.50	79.50	41.00	27.50	38.10	15.93	12	130.0	109.0
	30.16	NP1-3/16	•	•	•	1030	4	160.50	42.90	17.70	82.70	41.50	27.50	38.10	15.93	12	129.5	108.5
	30.16	MP1-3/16				1035	2	166.00	47.60	17.50	93.00	44.50	30.50	42.90	17.53	12	136.5	121.5
	31.75	SL1-1/4R	•	•	•	1030	4	161.50	39.67	14.50	79.50	41.00	27.50	38.10	15.93	12	130.0	109.0
	31.75	NP1-1/4R	•	•	•	1030	4	160.50	42.90	17.70	82.70	41.50	27.50	38.10	15.93	12	129.5	108.5
	31.75	SL1-1/4	•	•	•	1035	5	166.00	46.02	16.00	91.50	44.50	30.50	42.90	17.53	12	136.5	121.5
	31.75	NP1-1/4	•	•	•	1035	5	166.00	47.60	17.50	93.00	44.50	30.50	42.90	17.53	12	136.5	121.5
	31.75	MP1-1/4				1035	2	166.00	47.60	17.50	93.00	44.50	30.50	42.90	17.53	12	136.5	121.5
	34.925	SL1-3/8	•	•	•	1035	5	166.00	46.02	16.00	91.50	44.50	30.50	42.90	17.53	12	136.5	121.5
	34.925	NP1-3/8	•	•	•	1035	5	166.00	47.60	17.50	93.00	44.50	30.50	42.90	17.53	12	136.5	121.5
	34.925	MP1-3/8				1040	3	203.20	53.98	23.00	107.50	57.00	40.50	49.20	19.03	12	160.0	135.0
35		SL35	•	•	•	1035	5	166.00	46.02	16.00	91.50	44.50	30.50	42.90	17.53	12	136.5	121.5
35		NP35	•	•	•	1035	5	166.00	47.60	17.50	93.00	44.50	30.50	42.90	17.53	12	136.5	121.5
35		MP35				1040	3	203.20	53.98	23.00	107.50	57.00	40.50	49.20	19.03	12	160.0	135.0
	36.512	SL1-7/16	•	•	•	1035	5	166.00	46.02	16.00	91.50	44.50	30.50	42.90	17.53	12	136.5	121.5
	36.512	NP1-7/16	•	•	•	1035	5	166.00	47.60	17.50	93.00	44.50	30.50	42.90	17.53	12	136.5	121.5
	36.512	MP1-7/16				1040	3	203.20	53.98	23.00	107.50	57.00	40.50	49.20	19.03	12	160.0	135.0
	38.1	NP1-1/2	•	•	•	1040	6	180.50	49.20	18.50	98.50	51.00	34.50	49.20	19.04	12	148.0	127.0
	38.1	SL1-1/2	•	•	•	1040	6	180.50	49.20	18.50	98.50	51.00	34.50	49.20	19.04	12	148.0	127.0
	38.1	MP1-1/2				1045	4	222.20	58.72	22.50	116.70	60.00	39.50	49.20	19.04	16	172.5	145.0
40		NP40	•	•	•	1040	6	180.50	49.20	18.50	98.50	51.00	34.50	49.20	19.03	12	148.0	127.0
40		SL40	•	•	•	1040	6	180.50	49.20	18.50	98.50	51.00	34.50	49.20	19.04	12	148.0	127.0
40		MP40				1045	4	222.20	58.72	22.50	116.70	60.00	39.50	49.20	19.04	16	172.5	145.0

Cast Iron Pillow Block Units



Shaft Diameter (mm)		RHP designation	Variations			Basic Insert	Casting group	Dimensions(mm)										
Metric Range	Imperial Range		A	EC	DEC			Overall Length	Centre Height	Base Height	Overall Height	Base Width	Top Width	Inner Race Width	Inner Race Centre	Bolt Hole	Bolt Centres	
								L	H	H1	H2	A	A1	B	s	G	Jmax	Jmin
41.275		SL1-5/8	•	•		1045	7	197.50	52.37	18.40	106.40	54.00	35.00	49.20	19.04	12	161.5	141.5
41.275		NP1-5/8	•	•		1045	7	190.50	54.00	20.00	108.00	54.00	35.00	49.20	19.04	12	154.5	140.5
42.862		SL1-11/16	•	•		1045	7	197.50	52.37	18.40	106.40	54.00	35.00	49.20	19.04	12	161.5	141.5
42.862		NP1-11/16	•	•		1045	7	190.50	54.00	20.00	108.00	54.00	35.00	49.20	19.04	12	154.5	140.5
42.862		MP1-11/16				1050	5	222.20	58.72	22.50	116.70	60.00	39.50	51.60	19.04	16	172.5	145.0
44.45		SL1-3/4	•	•	•	1045	7	197.50	52.37	18.40	106.40	54.00	35.00	49.20	19.04	12	161.5	141.5
44.45		NP1-3/4	•	•	•	1045	7	190.50	54.00	20.00	108.00	54.00	35.00	49.20	19.04	12	154.5	140.5
44.45		MP1-3/4				1050	5	222.20	58.72	22.50	116.70	60.00	39.50	51.60	19.04	16	172.5	145.0
45		SL45	•	•	•	1045	7	197.50	52.37	18.40	106.40	54.00	35.00	49.20	19.04	12	161.5	141.5
45		NP45	•	•	•	1045	7	190.50	54.00	20.00	108.00	54.00	35.00	49.20	19.04	12	154.5	140.5
45		MP45				1050	5	222.20	58.72	22.50	116.70	60.00	39.50	51.60	19.04	16	172.5	145.0
47.625		SL1-7/8	•	•		1050	8	214.00	55.55	19.30	114.00	55.00	36.00	51.60	19.04	12	177.0	151.0
47.625		NP1-7/8	•	•		1050	8	206.00	57.20	21.00	115.20	55.00	36.00	51.60	19.04	16	163.0	154.0
47.625		MP1-7/8				1055	6	219.50	63.50	24.80	129.50	60.00	39.50	55.60	22.24	16	178.5	162.5
49.212		SL1-15/16	•	•		1050	8	214.00	55.55	19.30	114.00	55.00	36.00	51.60	19.04	12	177.0	151.0
49.212		NP1-15/16	•	•		1050	8	206.00	57.20	21.00	115.20	55.00	36.00	51.60	19.04	16	163.0	154.0
49.212		MP1-15/16				1055	6	219.50	63.50	24.80	129.50	60.00	39.50	55.60	22.24	16	178.5	162.5
50		SL50	•	•	•	1050	8	214.00	55.55	19.30	114.00	55.00	36.00	51.60	19.04	12	177.0	151.0
50		NP50	•	•	•	1050	8	206.00	57.20	21.00	115.20	55.00	36.00	51.60	19.04	16	163.0	154.0
50		MP50				1055	6	219.50	63.50	24.80	129.50	60.00	39.50	55.60	22.24	16	178.5	162.5
50.8		SL2R		•		1050	8	214.00	55.55	19.30	114.00	55.00	36.00	51.60	19.04	12	177.0	151.0
50.8		NP2R		•		1050	8	206.00	57.20	21.00	115.20	55.00	36.00	51.60	19.04	16	163.0	154.0
50.8		SL2		•		1055	9	219.50	61.90	23.20	128.00	60.00	39.50	55.60	22.24	16	178.5	162.5
50.8		NP2		•		1055	9	219.50	63.50	24.80	129.50	60.00	39.50	55.60	22.24	16	178.5	162.5
50.8		MP2				1055	6	219.50	63.50	24.80	129.50	60.00	39.50	55.60	22.24	16	178.5	162.5
53.975		SL2-1/8		•		1055	9	219.50	61.90	23.20	128.00	60.00	39.50	55.60	22.24	16	178.5	162.5
53.975		NP2-1/8		•		1055	9	219.50	63.50	24.80	129.50	60.00	39.50	55.60	22.24	16	178.5	162.5
55		SL55		•		1055	9	219.50	61.90	23.20	128.00	60.00	39.50	55.60	22.24	16	178.5	162.5
55		NP55		•		1055	9	219.50	63.50	24.80	129.50	60.00	39.50	55.60	22.24	16	178.5	162.5
55		MP55				1060	7	249.50	69.85	26.20	142.20	69.50	46.00	65.10	25.44	20	201.0	179.0
55.562		SL2-3/16		•		1055	9	219.50	61.90	23.20	128.00	60.00	39.50	55.60	22.24	16	178.5	162.5
55.562		NP2-3/16		•		1055	9	219.50	63.50	24.80	129.50	60.00	39.50	55.60	22.24	16	178.5	162.5
55.562		MP2-3/16				1060	7	249.50	69.85	26.20	142.20	69.50	46.00	65.10	25.44	20	201.0	179.0
57.15		SL2-1/4		•		1060	10	240.00	68.25	24.60	140.60	70.00	46.00	65.10	25.44	16	201.0	176.0
57.15		NP2-1/4		•		1060	7	249.50	69.85	26.20	142.20	69.50	46.00	65.10	25.44	20	201.0	179.0
57.15		MP2-1/4				1060	10	240.00	69.90	26.30	142.30	70.00	46.00	65.10	25.44	16	201.0	176.0
60		SL60		•		1060	10	240.00	68.25	24.60	140.60	70.00	46.00	65.10	25.44	16	201.0	176.0
60		NP60		•		1060	10	240.00	69.90	26.30	142.30	70.00	46.00	65.10	25.44	16	201.0	176.0
60		MP60				1070	8	266.00	76.20	27.00	153.00	72.00	47.00	74.60	30.24	20	224.5	189.5
60.325		SL2-3/8		•		1060	10	240.00	68.25	24.60	140.60	70.00	46.00	65.10	25.44	16	201.0	176.0
60.325		NP2-3/8		•		1060	10	240.00	69.90	26.30	142.30	70.00	46.00	65.10	25.44	16	201.0	176.0
61.912		SL2-7/16		•		1060	10	240.00	68.25	24.60	140.60	70.00	46.00	65.10	25.44	16	201.0	176.0
61.912		NP2-7/16		•		1060	10	240.00	69.90	26.30	142.30	70.00	46.00	65.10	25.44	16	201.0	176.0
61.912		MP2-7/16				1070	8	266.00	76.20	27.00	153.00	72.00	47.00	74.60	30.24	20	224.5	189.5
63.5		SL2-1/2		•		1065	10/65	250.00	68.25	24.60	142.60	70.00	45.00	65.10	25.44	16	205.0	176.0
63.5		NP2-1/2		•		1065	10/65	250.00	69.90	26.30	144.30	70.00	45.00	65.10	25.44	16	205.0	176.0
63.5		MP2-1/2				1070	8	266.00	76.20	27.00	153.00	72.00	47.00	74.60	30.24	20	224.5	189.5
65		SL65R				1065	10/65	250.00	68.25	24.60	142.60	70.00	45.00	65.10	25.44	16	205.0	176.0
65		NP65		•		1065	10/65	250.00	69.90	26.30	144.30	70.00	45.00	65.10	25.44	16	205.0	176.0
65		MP65R				1070	8	266.00	76.20	27.00	153.00	72.00	47.00	74.60	30.24	20	224.5	189.5
65		SL65		•		1075	11	286.00	82.55	28.00	165.50	74.00	47.50	77.80	33.34	20	241.5	200.5
65		MP65				1075	9	330.20	88.90	28.60	177.80	88.90	66.70	77.80	33.34	24	255.6	206.0

Cast Iron Pillow Block Units



Shaft Diameter (mm)		RHP designation	Variations	Basic Insert	Casting group	Dimensions(mm)									
Metric	Imperial		A EC DEC			Overall Length	Centre Height	Base Height	Overall Height	Base Width	Top Width	Inner Race Width	Inner Race Centre	Bolt Hole	Bolt Centres
Range	Range					L	H	H1	H2	A	A1	B	s	G	Jmax Jmin
68.262		NP2-11/16		1070	11	266.00	79.40	30.20	156.00	72.00	47.00	74.60	30.24	24	220.0 200.0
68.262		SL2-11/16	•	1075	11	286.00	82.55	28.00	165.50	74.00	47.50	77.80	33.34	20	241.5 200.5
68.262		MP2-11/16		1075	9	330.20	88.90	28.60	177.80	88.90	66.70	77.80	33.34	24	255.6 206.0
69.85		SL2-3/4	•	1075	11	286.00	82.55	28.00	165.50	74.00	47.50	77.80	33.34	20	241.5 200.5
69.85		NP2-3/4		1075	12	275.00	82.60	28.00	164.00	74.00	48.00	77.80	33.34	24	228.0 206.0
69.85		MP2-3/4		1075	9	330.20	88.90	28.60	177.80	88.90	66.70	77.80	33.34	24	255.6 206.0
70		NP70	•	1070	11	266.00	79.40	30.20	156.00	72.00	47.00	74.60	30.24	24	220.0 200.0
70		SL70	•	1075	11	286.00	82.55	28.00	165.50	74.00	47.50	77.80	33.34	20	241.5 200.5
70		MP70		1075	9	330.20	88.90	28.60	177.80	88.90	66.70	77.80	33.34	24	255.6 206.0
73.025		SL2-7/8	•	1075	11	286.00	82.55	28.00	165.50	74.00	47.50	77.80	33.34	20	241.5 200.5
73.025		NP2-7/8		1075	12	275.00	82.60	28.00	164.00	74.00	48.00	77.80	33.34	24	228.0 206.0
74.612		SL2-15/16	•	1075	11	286.00	82.55	28.00	165.50	74.00	47.50	77.80	33.34	20	241.5 200.5
74.612		NP2-15/16		1075	12	275.00	82.60	28.00	164.00	74.00	48.00	77.80	33.34	24	228.0 206.0
74.612		MP2-15/16		1080	10	330.20	88.90	31.80	184.20	88.90	66.70	82.60	33.34	24	255.6 228.0
75		SL75	•	1075	11	286.00	82.55	28.00	165.50	74.00	47.50	77.80	33.34	20	241.5 200.5
75		NP75	•	1075	12	275.00	82.60	28.00	164.00	74.00	48.00	77.80	33.34	24	228.0 206.0
75		MP75		1080	10	330.20	88.90	31.80	184.20	88.90	66.70	82.60	33.34	24	255.6 228.0
76.2		NP3		1075	12	275.00	82.60	28.00	164.00	74.00	48.00	77.80	33.34	24	228.0 206.0
76.2		NP3L		1080	13	291.00	88.90	30.00	174.00	78.00	56.00	82.60	33.34	24	241.0 214.0
76.2		MP3		1080	10	330.20	88.90	31.80	184.20	88.90	66.70	82.60	33.34	24	255.6 228.0
80		NP80		1080	13	291.00	88.90	30.00	174.00	78.00	56.00	82.60	33.34	24	241.0 214.0
80		MP80		1085	11	381.00	101.60	31.80	203.20	101.60	68.30	85.70	34.15	24	317.5 260.0
80.962		MP3-3/16		1085	11	381.00	101.60	31.80	203.20	101.60	68.30	85.70	34.15	24	317.5 260.0
82.55		NP3-1/4		1085	14	310.00	95.20	32.00	187.00	83.00	56.00	85.70	34.15	24	262.0 232.0
82.55		MP3-1/4		1085	11	381.00	101.60	31.80	203.20	101.60	68.30	85.70	34.15	24	317.5 260.0
85		NP85		1085	14	310.00	95.20	32.00	187.00	83.00	56.00	85.70	34.15	24	262.0 232.0
85		MP85		1090	12	381.00	101.60	33.30	209.60	111.10	79.40	96.00	39.74	24	319.1 246.1
85.725		NP3-3/8		1085	14	310.00	95.20	32.00	187.00	83.00	56.00	85.70	34.15	24	262.0 232.0
87.312		NP3-7/16		1090	15	327.00	101.60	36.00	200.00	88.00	62.00	96.00	39.74	24	280.0 244.0
87.312		MP3-7/16		1090	12	381.00	101.60	33.30	209.60	111.10	79.40	96.00	39.74	24	319.1 246.1
88.9		NP3-1/2		1090	15	327.00	101.60	36.00	200.00	88.00	62.00	96.00	39.74	24	280.0 244.0
88.9		MP3-1/2		1090	12	381.00	101.60	33.30	209.60	111.10	79.40	96.00	39.74	24	319.1 246.1
90		NP90		1090	15	327.00	101.60	36.00	200.00	88.00	62.00	96.00	39.74	24	280.0 244.0
90		MP90		1090	12	381.00	101.60	33.30	209.60	111.10	79.40	96.00	39.74	24	319.1 246.1
95		MP95		3095	13	431.80	127.00	33.30	254.00	120.60	98.40	117.48	49.31	24	371.5 301.6
100		MP100		3095	13	431.80	127.00	33.30	254.00	120.60	98.40	117.48	49.31	24	371.5 301.6
100.012		MP3-15/16		3095	13	431.80	127.00	33.30	254.00	120.60	98.40	117.48	49.31	24	371.5 301.6
101.6		MP4		3095	13	431.80	127.00	33.30	254.00	120.60	98.40	117.48	49.31	24	371.5 301.6