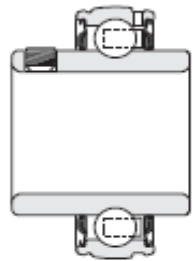
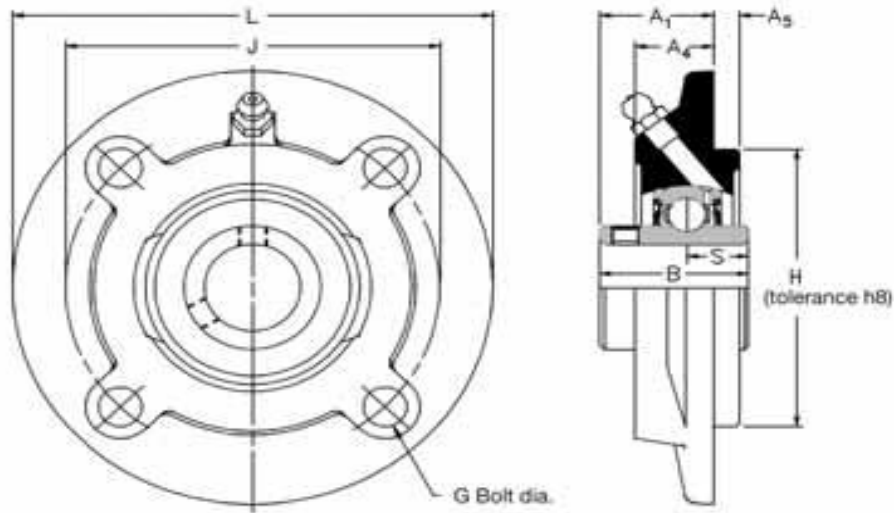
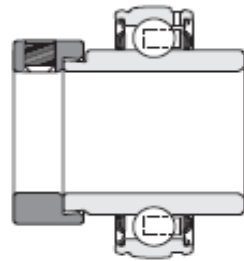


MFC Four Bolt Flange Units Round



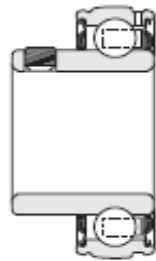
1000G

Standard



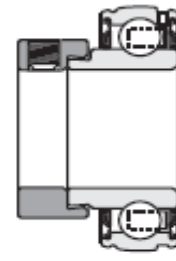
1000DECG

DEC Type



1200G

A Type



1200ECG

EC Type

See [Housed Bearing Insert](#) pages for dimensional detail

Four Bolt Flange Units Round



Shaft Diameter (mm)		RHP designation	Basic Insert	Casting group	Dimensions(mm)								
Metric Range	Imperial Range				Casting Dia L	Boss Dia H	Bolt Hole PCD J	Bolt Hole Dia G	A1	A4	Boss Depth A5	B	S
25		MFC25	1030	1	111.10	76.20	92.10	8.00	33.32	21.00	6.4	38.1	15.93
	25.4	MFC1	1030	1	111.10	76.20	92.10	8.00	33.32	21.00	6.4	38.1	15.93
30		MFC30	1035	2	127.00	85.70	104.80	10.00	33.32	19.00	6.4	42.9	17.53
	30.16	MFC1-3/16	1035	2	127.00	85.70	104.80	10.00	33.32	19.00	6.4	42.9	17.53
	31.75	MFC1-1/4R	1030	1	111.10	76.20	92.10	8.00	33.32	21.00	6.4	38.1	15.93
	31.75	MFC1-1/4	1035	2	127.00	85.70	104.80	10.00	33.32	19.00	6.4	42.9	17.53
	34.925	MFC1-3/8	1040	3	133.40	92.10	111.10	10.00	38.10	19.00	6.4	49.2	19.03
35		MFC35	1040	3	133.40	92.10	111.10	10.00	38.10	19.00	6.4	49.2	19.03
	36.512	MFC1-7/16	1040	3	133.40	92.10	111.10	10.00	38.10	19.00	6.4	49.2	19.03
	38.1	MFC1-1/2	1040	3	133.40	92.10	111.10	10.00	38.10	19.00	6.4	49.2	19.03
40		MFC40	1040	3	133.40	92.10	111.10	10.00	38.10	19.00	6.4	49.2	19.03
	42.862	MFC1-11/16	1050	4	155.60	108.00	130.20	10.00	39.67	19.00	6.4	51.6	19.04
	44.45	MFC1-3/4	1050	4	155.60	108.00	130.20	10.00	39.67	19.00	6.4	51.6	19.04
45		MFC45	1050	4	155.60	108.00	130.20	10.00	39.67	19.00	6.4	51.6	19.04
	47.625	MFC1-7/8	1055	5	161.90	114.30	136.50	10.00	39.00	67.00	19	6.4	55.6
	49.212	MFC1-15/16	1055	5	161.90	114.30	136.50	10.00	39.00	67.00	19	6.4	55.6
50		MFC50	1055	5	161.90	114.30	136.50	10.00	39.00	67.00	19	6.4	55.6
	50.8	MFC2R	1050	4	155.60	108.00	130.20	10.00	39.67	19.00	6.4	51.6	19.04
	50.8	MFC2	1055	5	161.90	114.30	136.50	10.00	39.00	67.00	19	6.4	55.6
55		MFC55	1060	6	181.00	127.00	152.40	12.00	42.85	15.90	9.5	65.1	25.44
	55.562	MFC2-3/16	1060	6	181.00	127.00	152.40	12.00	42.85	15.90	9.5	65.1	25.44
	57.15	MFC2-1/4	1060	6	181.00	127.00	152.40	12.00	42.85	15.90	9.5	65.1	25.44
60		MFC60	1070	7	193.70	139.70	165.10	12.00	46.02	15.90	12.7	74.6	30.24
	61.912	MFC2-7/16	1070	7	193.70	139.70	165.10	12.00	46.02	15.90	12.7	74.6	30.24
	63.5	MFC2-1/2	1070	7	193.70	139.70	165.10	12.00	46.02	15.90	12.7	74.6	30.24
65		MFC65R	1070	7	193.70	139.70	165.10	12.00	46.02	15.90	12.7	74.6	30.24
65		MFC65R	1075	8	222.20	161.90	190.50	16.00	50.80	21.00	12.7	77.8	33.34
	68.262	MFC2-11/16	1075	8	222.20	161.90	190.50	16.00	50.80	21.00	12.7	77.8	33.34
	69.85	MFC2-3/4	1075	8	222.20	161.90	190.50	16.00	50.80	21.00	12.7	77.8	33.34
70		MFC70	1075	8	222.20	161.90	190.50	16.00	50.80	21.00	12.7	77.8	33.34
	74.612	MFC2-15/16	1080	9	222.20	161.90	190.50	16.00	50.80	16.70	12.7	82.6	33.34
75		MFC75	1080	9	222.20	161.90	190.50	16.00	50.80	16.70	12.7	82.6	33.34
	76.2	MFC3	1080	9	222.20	161.90	190.50	16.00	50.80	16.70	12.7	82.6	33.34

Four Bolt Flange Units Round



Shaft Diameter (mm)		RHP designation	Basic Insert	Casting group	Dimensions(mm)								
Metric Range	Imperial Range			Casting Dia L	Boss Dia H	Bolt Hole PCD J	Bolt Hole Dia G	A1	A4	Boss Depth A5	B	S	
80		MFC80	1080	9	222.20	161.90	190.50	16.00	50.80	16.70	12.7	82.6	33.34
82.55		MFC3-1/4	1080	9	222.20	161.90	190.50	16.00	50.80	16.70	12.7	82.6	33.34
85		MFC85	1090	10	260.40	187.30	219.10	20.00	67.46	29.40	12.7	96.0	39.74
87.312		MFC3-7/16	1090	10	260.40	187.30	219.10	20.00	67.46	29.40	12.7	96.0	39.74
88.9		MFC3-1/2	1090	10	260.40	187.30	219.10	20.00	67.46	29.40	12.7	96.0	39.74
90		MFC90	1090	10	260.40	187.30	219.10	20.00	67.46	29.40	12.7	96.0	39.74
95		MFC95	3095	11	298.40	228.60	260.40	20.00	88.90	46.00	12.7	117.5	49.31
100		MFC100	3095	11	298.40	228.60	260.40	20.00	88.90	46.00	12.7	117.5	49.31
100.012		MFC3-15/16	3095	11	298.40	228.60	260.40	20.00	88.90	46.00	12.7	117.5	49.31
101.6		MFC4	3095	11	298.40	228.60	260.40	20.00	88.90	46.00	12.7	117.5	49.31